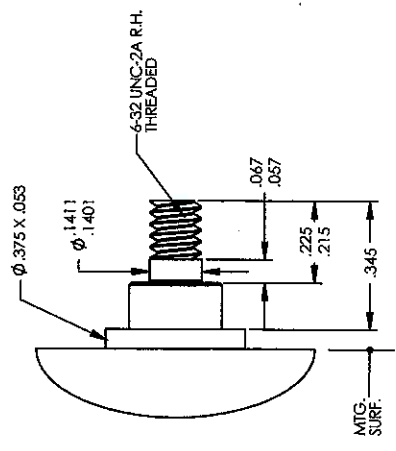


FIG. 6

Ø .250 SHAFT REDUCED & THREADED



TYPE 873

SALES DEPT.
DEC 19 2005

OUTPUT CHART THREADED SHAFT

CAD FILE
610-SOUPCHAIRASSEMBLYFIGURESECTION1

SCALE
C X 2

REV.
IF

SHEET
3.10.2

DRAWING NO.
610-6